



Three-phase energy meters
DMED341MID7E
Three-phase + neutral
4

Product designation

Product type designation

Type

DIN rail module number

Auxiliary supply U_s

Operational frequency

min Hz 50

Power consumption

Max VA 20

Power dissipation Max

W 1.35

Measuring voltage inputs

Rated voltage (U_e)

phase-phase VAC 400
phase-neutral VAC 230

Operating voltage range

phase-phase VAC 323...456
phase-neutral VAC 187...264

Connection method

Direct

Current

IEC maximum (I_{max})

A 80

IEC minimum (I_{min})

A 0.5

IEC rated (I_{ref-Ib})

A 10

IEC start (I_{st})

mA 40

Transition (I_{tr})

A 1

Accuracy

Active energy Class B (EN 50470-3)

Reactive energy Class 2 (IEC/EN 62053-23)

RS485 serial interface

Baud rate

bps Programmable 1200...38400

Insulations

Rated insulation voltage U_i IEC/EN

V 300

Rated impulse withstand voltage U_{imp}

kV 6

Operating frequency withstand voltage

kV 4

Mechanical features

Housing type

Polyamide

Terminals type

Fixed

Conductor cross section

min mm² 2.5
Max mm² 25
min AWG 14
Max AWG 4

Tightening torque (Max)

Nm	2
lbin	17.7

Fixing

Din rail

Weight

g	360
---	-----

Ambient conditions

Temperature

Operating temperature

min	°C	-25
max	°C	+70

Storage temperature

min	°C	-25
max	°C	+70

Relative humidity

%	<80
---	-----

Maximum Pollution degree

2

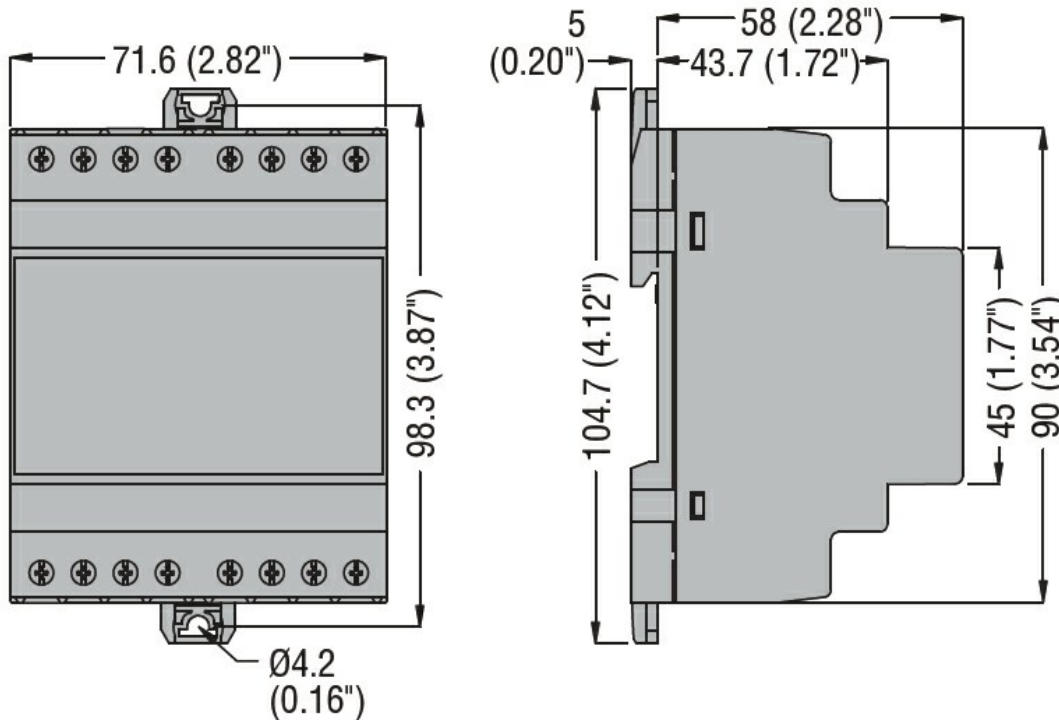
Mechanical environment

Class M1

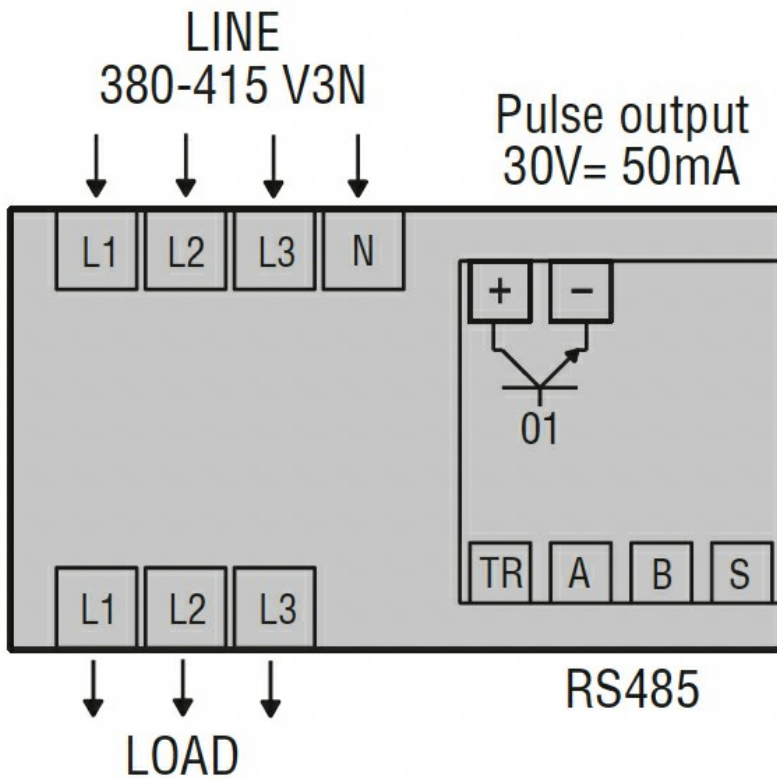
Magnetic environment

Class E2

Dimensions



Wiring diagrams



Certifications and compliance

Compliance

BS EN 50470-3
IEC/EN/BS 62052-11
IEC/EN/BS 62052-31
VDE-AR-E 2418-3-100

Certificates

EAC
MID (moduli B + D)
MIR

ETIM classification

ETIM 8.0

EC001506 -
Kilowatt-hour
meter