

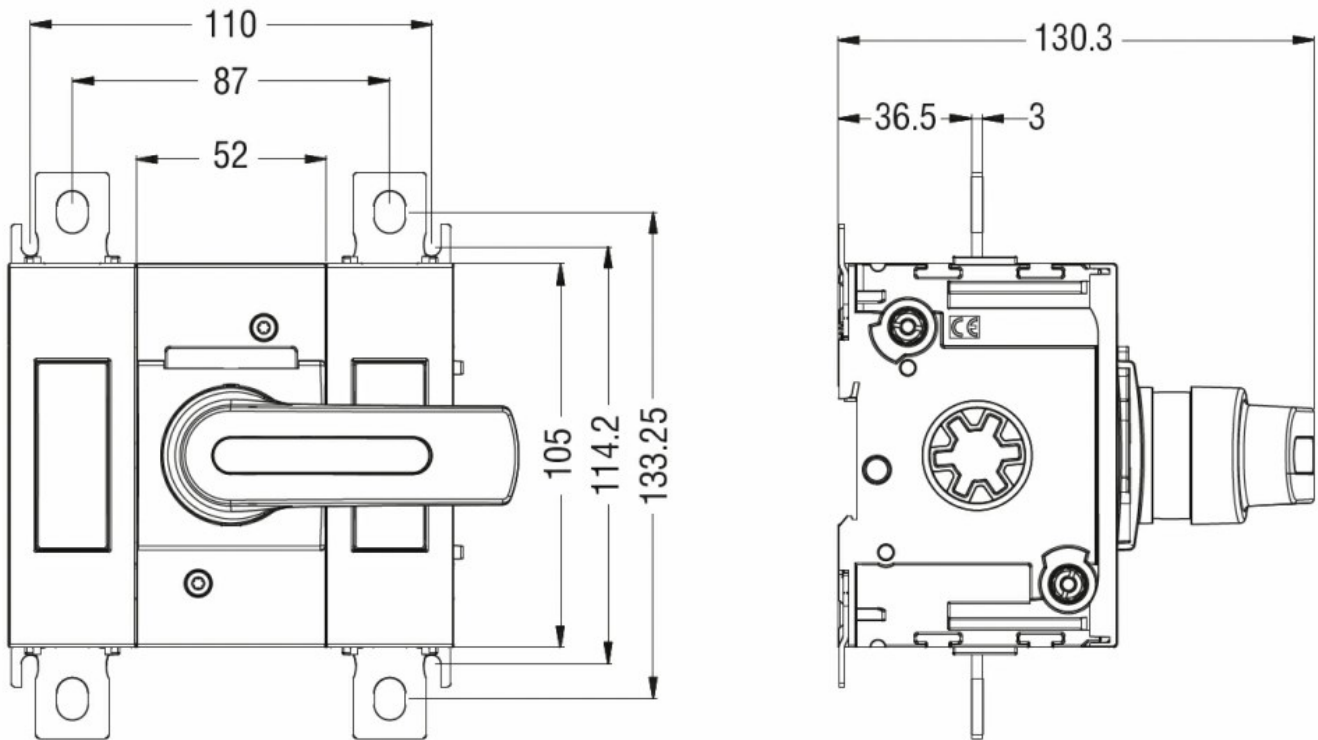


| | | | | |
|---|-------|---------------------------------------|-----------------|--------------------------|
| Product designation | | | | Switch disconnecter |
| Product type designation | | | | GLD |
| Number of poles | | Nr. | | 2 |
| Operating voltage type | | | | DC |
| Contact characteristics | | | | |
| IEC Conventional free air thermal current I _{th} | | A | | 200 |
| Rated insulation voltage U _i IEC/EN | | V | | 1000 |
| Operating current I _e | | | | |
| | DC21B | | | |
| | | 600V | A | 200 |
| | | 800V | A | 200 |
| | | 1000V | A | 200 |
| DCPV1 | | | | |
| | | Operating current I _e 600V | A | 200 |
| | | Operating current I _e 800V | A | 200 |
| | DCPV1 | | | |
| | | 600V | A | 200 |
| | | 800V | A | 200 |
| Mechanical features | | | | |
| Operating position | | normal allowable | | Vertical plan Any |
| Fixing | | | | Screw / DIN rail 35mm |
| Terminals | | type | | M8 x 25 |
| Tightening torque for terminals | | min | Nm | 15 |
| | | max | Nm | 22 |
| | | min | lbin | 132 |
| | | max | lbin | 194 |
| Conductor section | | IEC min | mm ² | 70 |
| | | IEC max | mm ² | 185 |
| | | AWG/kcmil min | | 00 |
| | | AWG/kcmil max | | 400 |
| Ambient conditions | | | | |
| Operating temperature | | min | °C | -25 |
| | | max | °C | +55 |
| Storage temperature | | min | °C | -40 |
| | | max | °C | +70 |
| Max altitude | | | m | 3000 |
| Resistance & Protection | | | | |

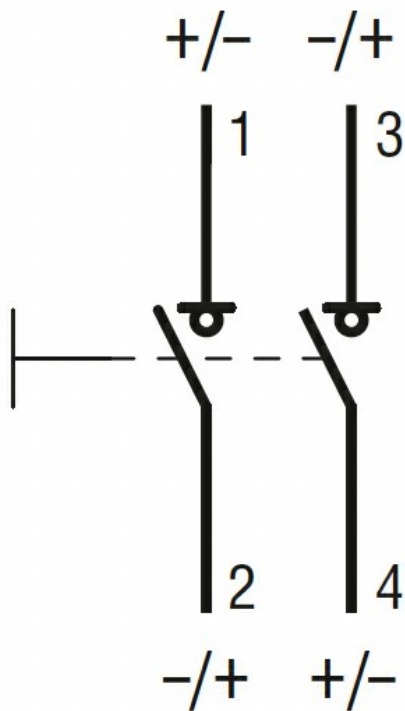
Pollution degree

3

Dimensions



Wiring diagrams



Certifications and compliance

Compliance

IEC/EN/BS 60947-1

IEC/EN/BS 60947-3

UL98B

Certifications

CE

ETIM classification

ETIM 8.0

EC000216 -
Switch
disconnector