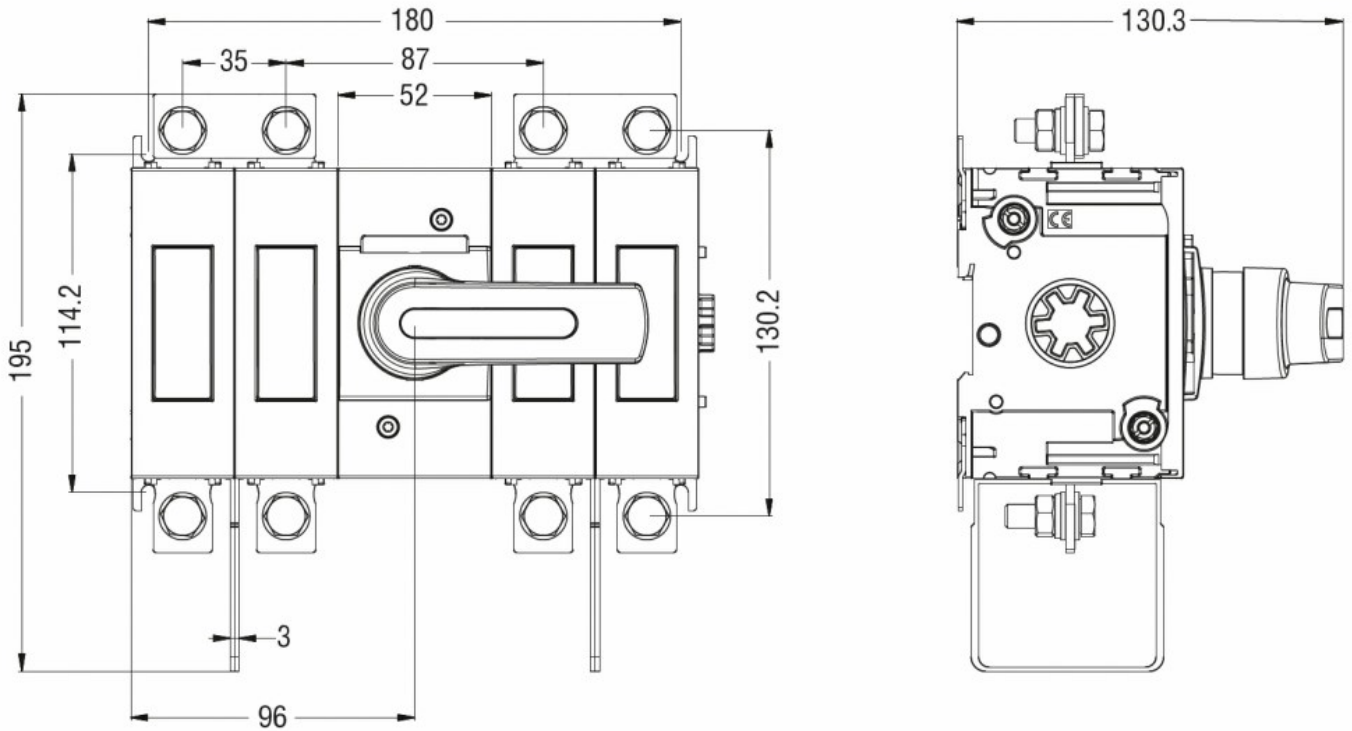


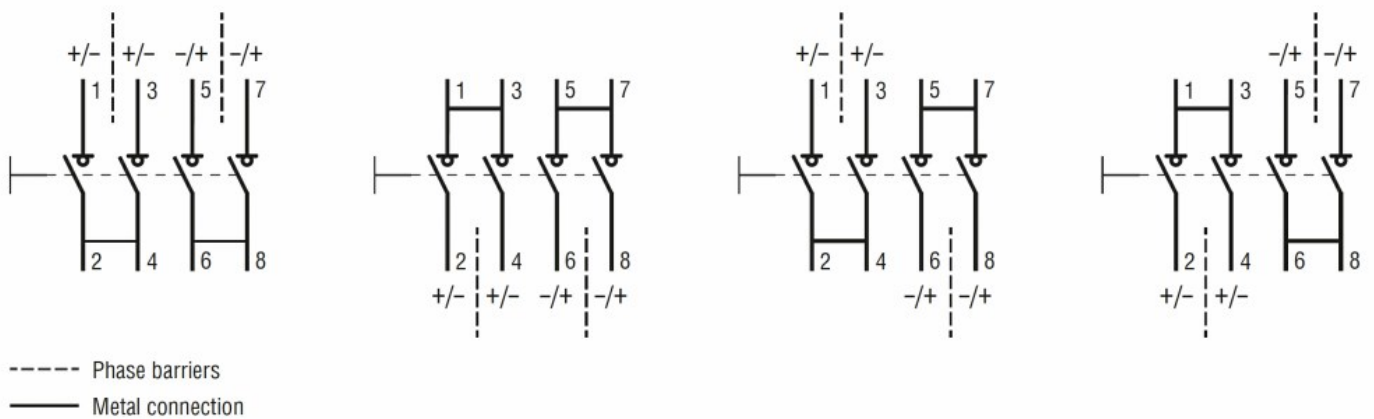


Product designation				Switch disconnecter
Product type designation				GLD
Number of poles		Nr.	4	
Operating voltage type				DC
<b>Contact characteristics</b>				
IEC Conventional free air thermal current I <sub>th</sub>		A	315	
Rated insulation voltage U <sub>i</sub> IEC/EN		V	1500	
Operating current I <sub>e</sub>				
	DC21B			
		600V	A	315
		800V	A	315
		1000V	A	315
		1200V	A	315
		1500V	A	315
DCPV1				
		Operating current I <sub>e</sub> 600V	A	315
		Operating current I <sub>e</sub> 800V	A	315
		Operating current I <sub>e</sub> 1200V	A	315
		Operating current I <sub>e</sub> 1500V	A	315
	DCPV1			
		600V	A	315
		800V	A	315
		1200V	A	315
		1500V	A	315
<b>Mechanical features</b>				
Operating position		normal allowable		Vertical plan Any
Fixing				Screw / DIN rail 35mm
Terminals		type		M8 x 25
Tightening torque for terminals		min	Nm	15
		max	Nm	22
		min	lbin	132
		max	lbin	194
Conductor section		IEC min	mm <sup>2</sup>	70
		IEC max	mm <sup>2</sup>	185
		AWG/kcmil min		00
		AWG/kcmil max		400
<b>Ambient conditions</b>				
Operating temperature		min	°C	-25

Storage temperature	max	°C	+55
	min	°C	-40
Max altitude	max	°C	+70
		m	3000
<b>Resistance &amp; Protection</b>			
Pollution degree	3		
<b>Dimensions</b>			



**Wiring diagrams**



**Certifications and compliance**

Compliance	IEC/EN/BS 60947-1
	IEC/EN/BS 60947-3
	UL98B
Certifications	CE

**ETIM classification**

ETIM 8.0

EC000216 -  
Switch  
disconnector