



Product designation	Insulation monitoring relay		
Product type designation	PMI		
General characteristics			
Description	Insulation monitoring relay		
Type of system	AC IT systems		
Auxiliary supply			
Rated auxiliary supply voltage U_s	AC		
		min	VAC 220
		Max	VAC 240
Auxiliary operating voltage		max	U_s 1.1
		min	U_s 0.85
Power consumption	AC (Max)		
		VA	3
Power dissipation	AC (Max)		
		W	1.5
Voltage inputs			
Frequency range		Hz	50/60
Relay outputs			
Number of relays		Nr.	1
Relay state			Normally energised, de-energises at tripping
Contact arrangement			1 changeover contact SPDT each
Rated operational voltage AC (IEC)		VAC	250
Maximum switching voltage		VAC	250
IEC Conventional free air thermal current I_{th}		A	5
Electrical life (with rated load)		cycles	300000
Mechanical life		cycles	50000000
Indications			
Indication			1 green LED for power on/inhibition 1 red LED for tripping
Connections			
Terminals type			Screw
Tightening torque for terminals		max	Nm 0.5

		max	Ibin	4.5
Conductor cross section				
	AWG/Kcmil	min	AWG	24
		Max	AWG	12
	IEC	min	mm ²	0.2
		Max	mm ²	2.5

Insulations

Rated insulation voltage Ui		V	600
Rated impulse withstand voltage Uimp		kV	4
Operating frequency withstand voltage		kV	2.5

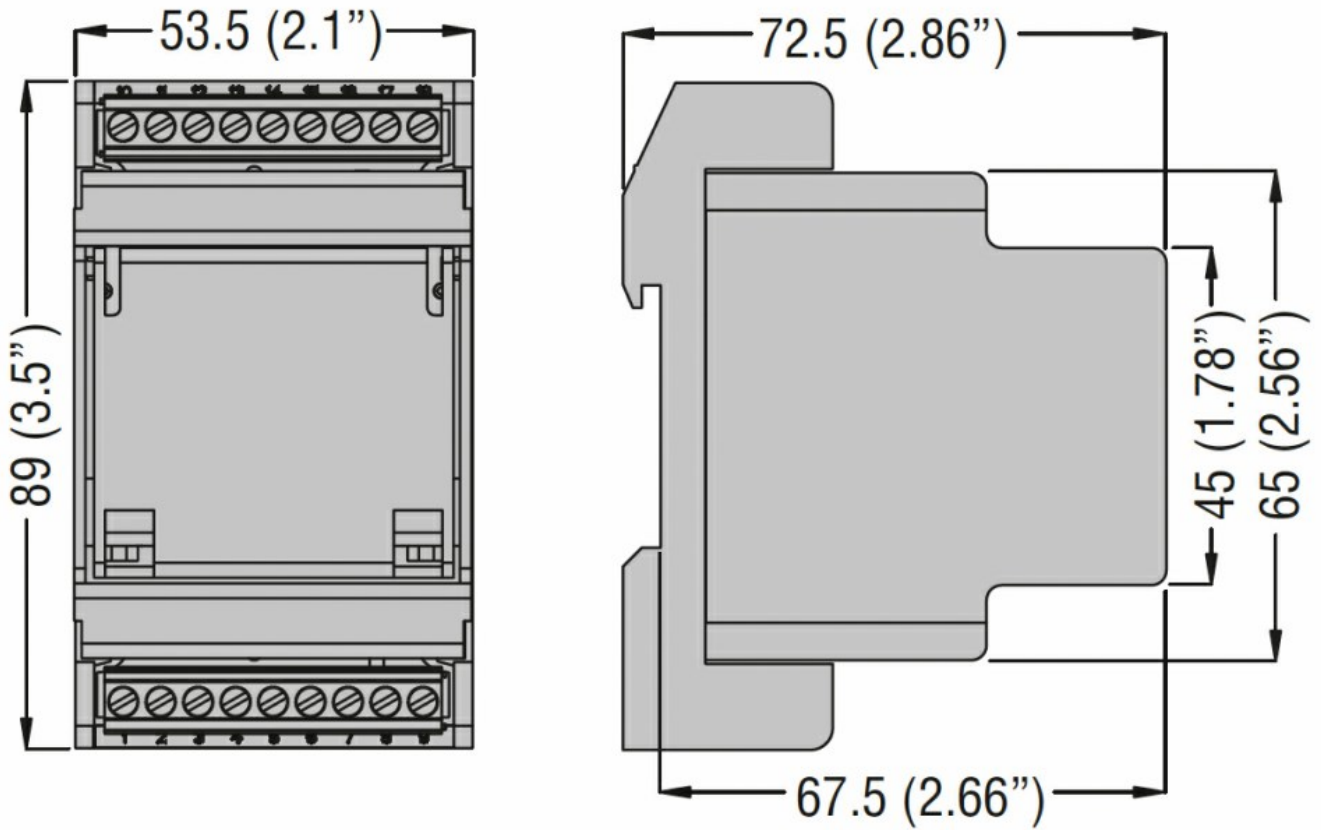
Ambient conditions

Temperature				
	Operating temperature	min	°C	-10
		max	°C	+60
	Storage temperature	min	°C	-20
		max	°C	+70

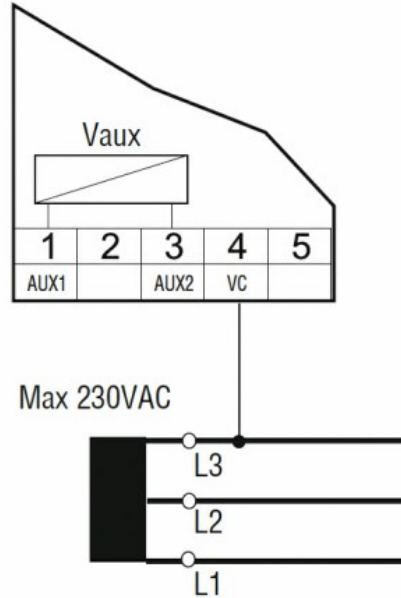
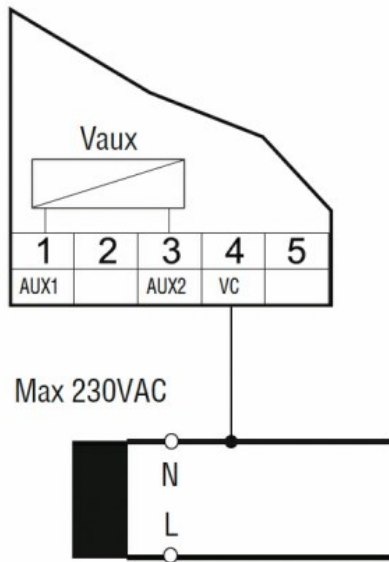
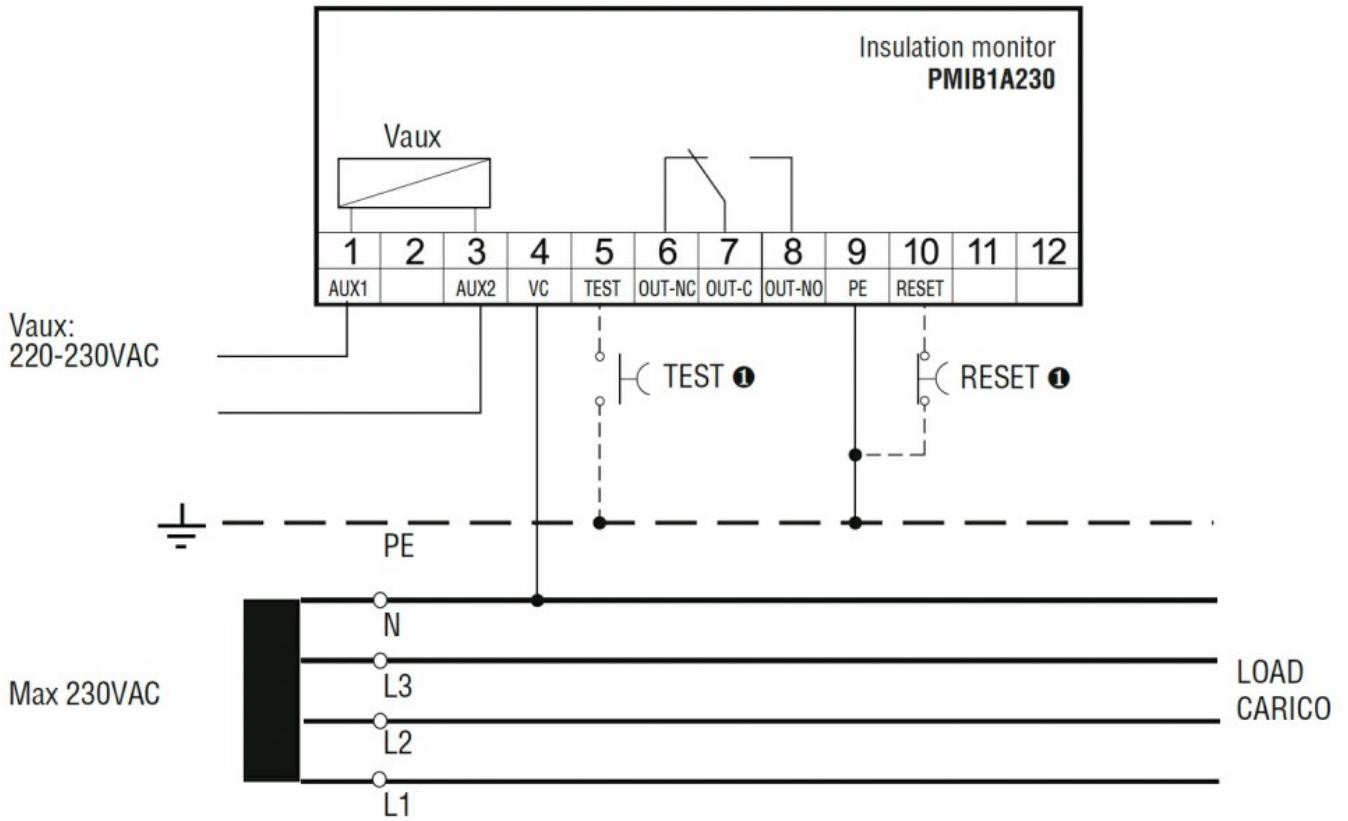
Housing

Execution (n° of modules)			3
Material			Self-extinguishing polycarbonate
Mounting			Modular DIN 43880 housing
IEC degree of protection			IP40 on front; IP20 on the terminals
Dimensions (W x H x D)		mm	53.5x89x72.5
Weight		g	200

Dimensions



Wiring diagrams



Certifications and compliance

Compliance

- IEC/EN/BS 61010-1
- IEC/EN/BS 61326-1
- IEC/EN/BS 61557-8