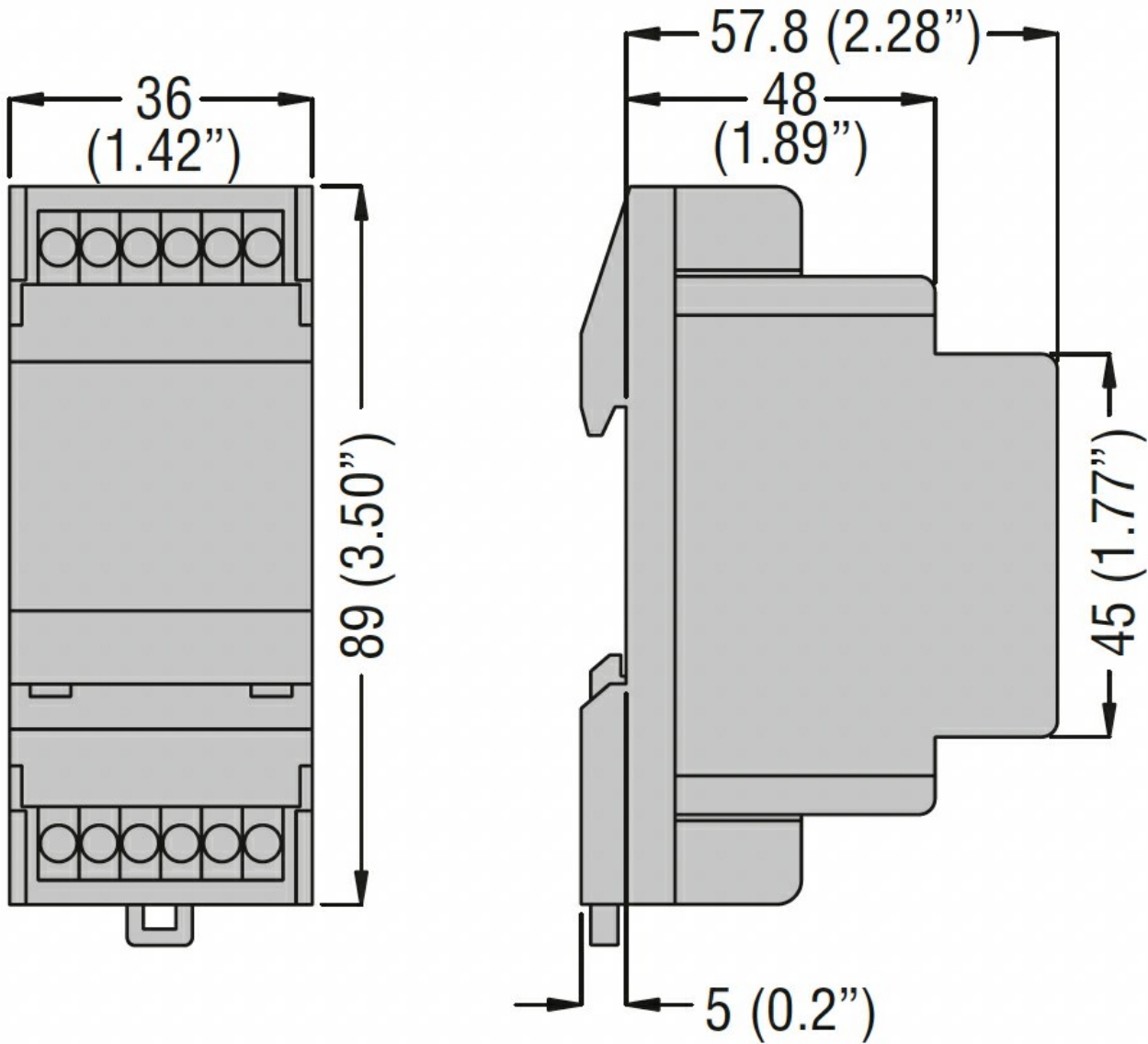


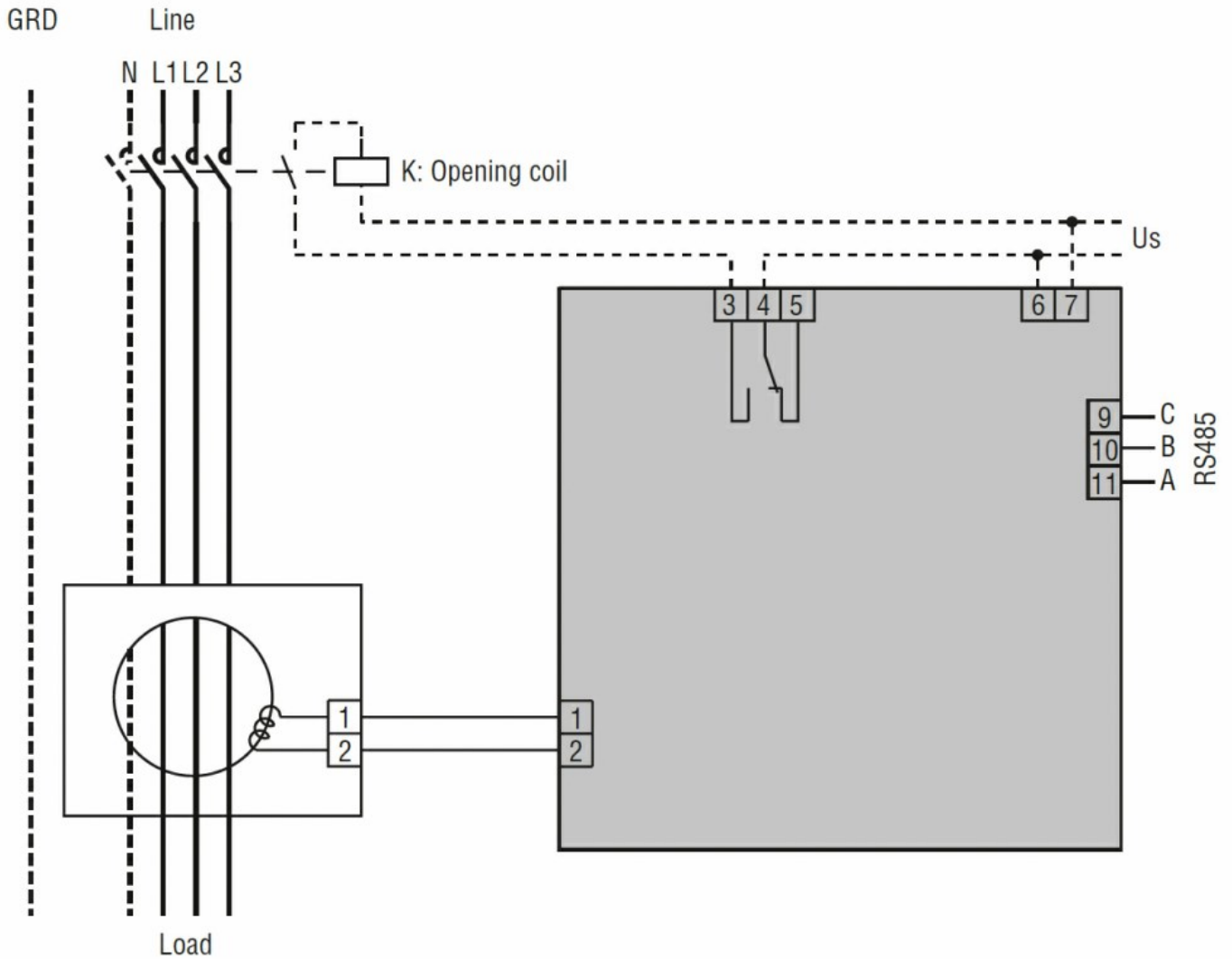


Product designation	Earth leakage relays		
Product type designation	RM1		
<b>General characteristics</b>			
Description	Modular with transparent cover, 1 operating threshold		
Residual operation characteristic	Type A		
N° of operating threshold	1		
<b>Control circuit</b>			
Toroidal transformer	External		
Adjustments			
	Tripping set-point ( $I\Delta n$ )	(x1)	A 0.03...30
	Tripping delay time	(tx1)	s 0.2...10
Resetting	Configurable automatic or manual by button on front or digital input		
Test Button	Yes		
Shunt circuit control	No		
<b>Auxiliary supply</b>			
Auxiliary rated supply voltage $U_s$	220...240VAC		
Operational limits	220...240VAC		
Output contacts	1		
Rated frequency	Hz	50...60	
Power consumption Max	VA	2	
<b>Relay outputs</b>			
Relay state	Normally de-energised		
Contact arrangement	1 changeover SPDT (trip)		
Rated contact capacity IEC $I_{th}$	5A - 250VAC		
<b>Insulations</b>			
Power frequency withstand voltage	kV	2.5kV for 60s	
<b>Indications</b>			
Auxiliary voltage available (ON)	Green LED		
Relay tripping (TRIP)	Red backlight		
Trip prealarm (ALARM)	Yellow backlight		
<b>Connections</b>			
Terminals type	Fixed		
Tightening torque for terminals			

		max	Nm	0.5
		max	lbin	4.5
Conductor section				
	AWG/Kcmil			
		min		24
		max		12
	IEC			
		min	mm <sup>2</sup>	0.2
		max	mm <sup>2</sup>	2.5
<b>Operations</b>				
Mechanical life			cycles	20000000
Electrical life			cycles	300000
<b>Ambient conditions</b>				
Temperature				
	Operating temperature			
		min	°C	-10
		max	°C	+60
	Storage temperature			
		min	°C	-20
		max	°C	+80
Relative humidity			%	≤90%
<b>Housing</b>				
Material				Self-extinguishing polycarbonate
Mounting				35mm DIN rail
Degree of protection				IP20 terminals
Dimensions (W x H x D)			mm	36x89x57.8
Weight			g	300
<b>Dimensions</b>				



Wiring diagrams



**Certifications and compliance**

Compliant with standards

EN 60947-2 (Annex M)

IEC/EN 61000-6-2 IEC/EN 61000- 6-3

IEC/EN 61010

IEC/TR 60755

**ETIM classification**

ETIM 8.0

EC001445 -  
Residual current  
monitoring relay