



Product designation

Toroidal current transformers

**General characteristics**

Residual operation characteristic

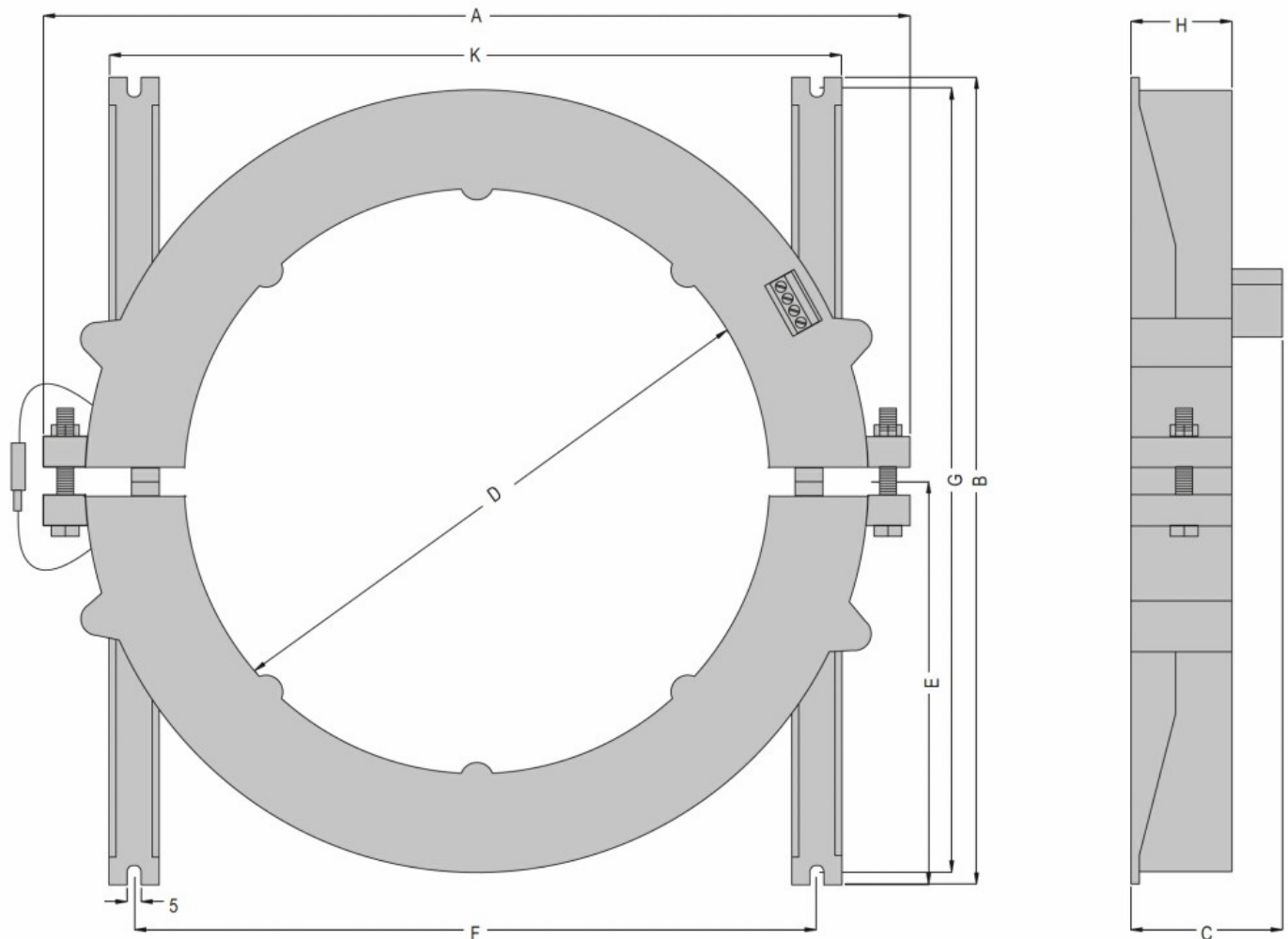
Type B

**Control circuit**

Toroidal transformer

Diam. 210 mm/8.27"

**Dimensions**



TYPE/TIPO	A	B	C	D	E	F	G	H	K
<b>RTB210</b>	310	290	54	210	145	240	280	36	258

**Certifications and compliance**

Compliant with standards

IEC/EN/BS 60947-2

ETIM classification

ETIM 8.0

EC002048 -  
Current  
transformer